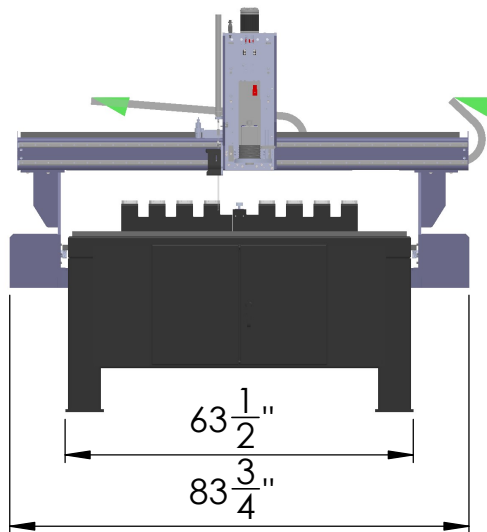
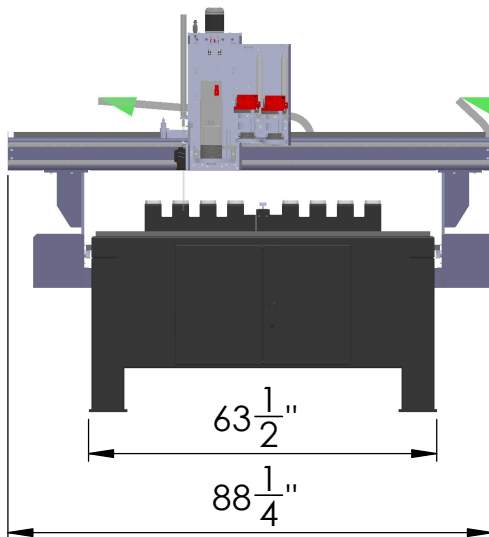


PANTHER 5 x 10

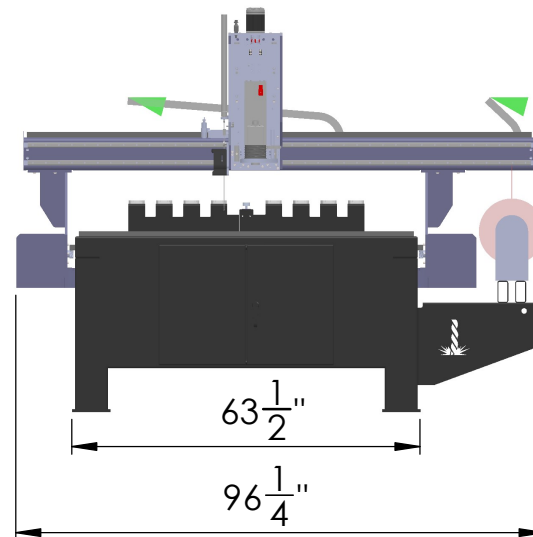
STANDARD MACHINE



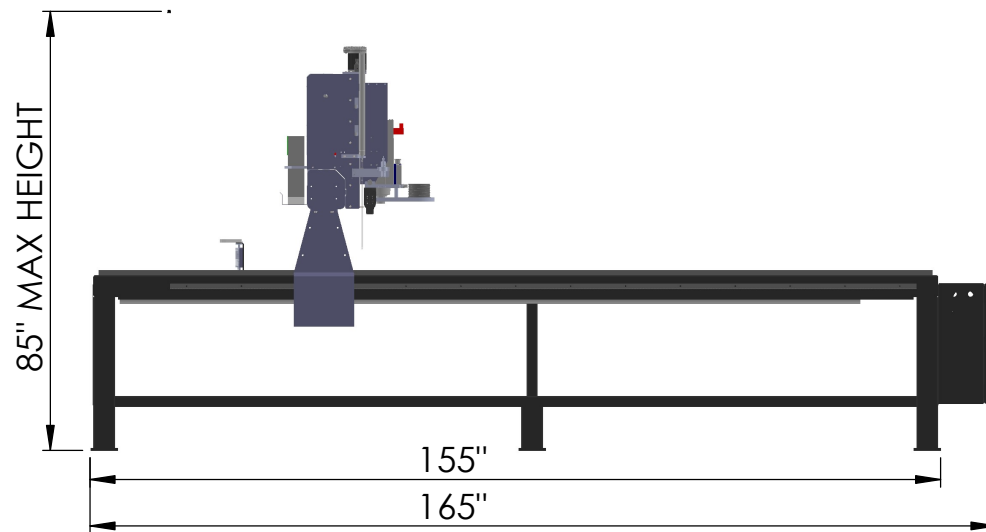
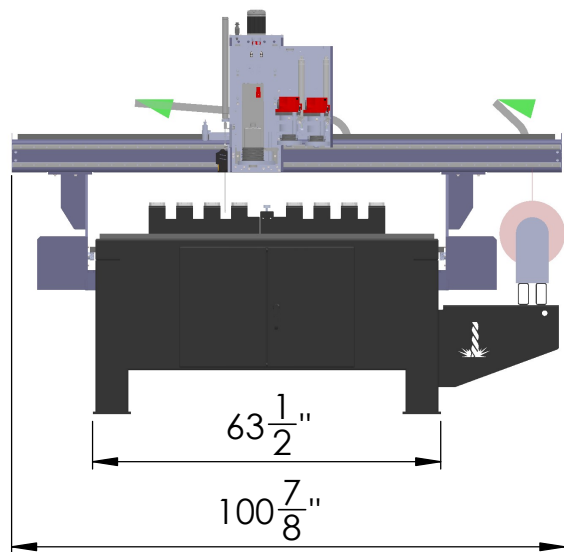
AUXILIARY MACHINE



RECOIL MACHINE



AUXILIARY+RECOIL MACHINE



Auxiliary Options

- TANGENTIAL KNIFE
- LASER ENGRAVER
- CUTVISION

SKU NUMBER:

CAMaster

PART NAME:
Panther

REV:

CONFIGURATION:
DWG 510 Standard

SCALE: 1:50

SHEET 3 OF 3