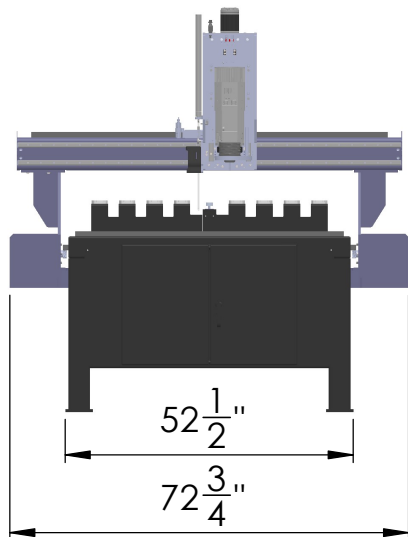
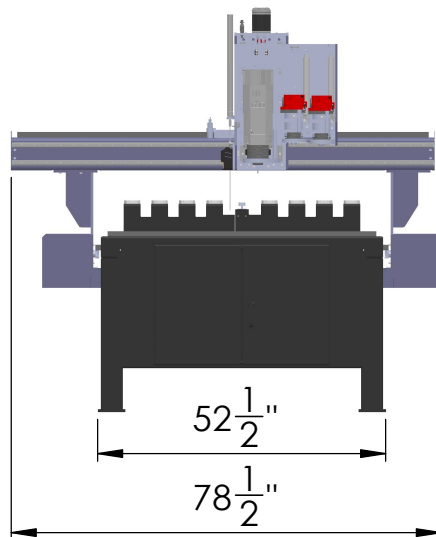


PANTHER 4 x 8

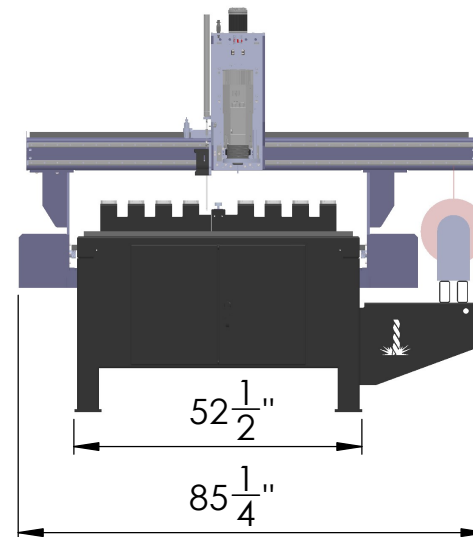
STANDARD MACHINE



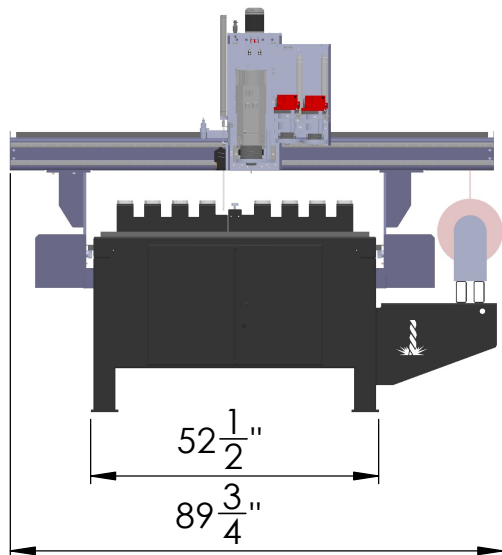
AUXILIARY MACHINE



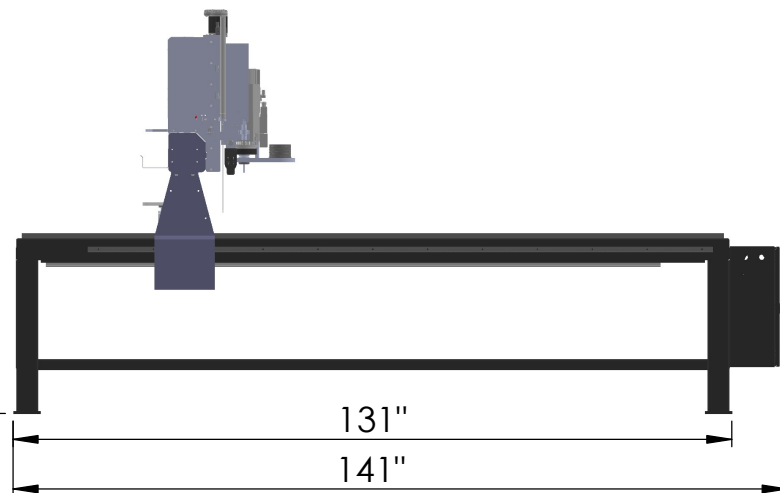
RECOIL MACHINE



AUXILIARY+RECOIL MACHINE



85" MAX HEIGHT



Auxiliary Options

- TANGENTIAL KNIFE
- LASER ENGRAVER
- CUTVISION

SKU NUMBER:

CAMaster

PART NAME:
Panther

REV:

CONFIGURATION:
DWG 48 Standard

SCALE: 1:50

SHEET 2 OF 3